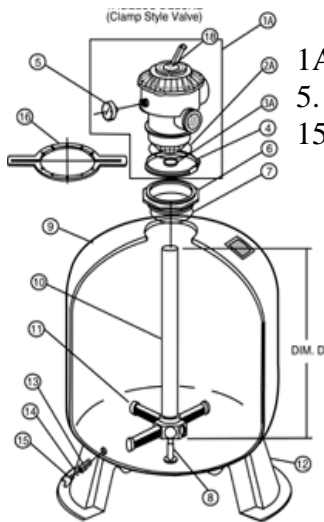


Pool Opening



1. Install 1 plug or drain cap on the filter tank.
2. Install 1 or 2 plugs on the pump; Powerflo/Matrix pumps have 1 plug which is located on the strainer basket, Dynamo pump has an additional plug located on the pump housing.
3. Install pressure gauge and sight glass onto the multiport valve.
Note: Wrap stems with teflon tape to insure a proper seal. Hand tighten only.
4. Reconnect automatic chlorinator.
5. Pool cover should be clear of any water and debris before removing.
6. Remove cover and empty water tubes. Cover must be cleaned before storing.
Note: Store cover in a plastic trash can, fill it with water and 1 quart of algaecide.
7. Remove Gizmo's from skimmer(s).
8. Install baskets for the pump and skimmers.
9. Install ladders
Note: Check ladder bumpers for signs of wear and make sure they are secure. Replace if needed.
10. Fill pool to middle of skimmer.
11. Start system.
Helpful hints: Before you start the system:
 - A. Fill chlorinator and pump with water.
 - B. Lubricate pump gasket.
 - C. Make sure all chlorinator connections are secure.
12. Clean sand filter using *Sparkling Filter Cleaner & Degreaser*.
13. Filter pool water for 24 hours. Bring a water sample to Rising Sun Pools for a complete water analysis.

Diagrams of pump and filter for parts identification



1A. Multiport valve

5. Pressure gauge and sight glass located in same area on multiport

15. Drain cap

