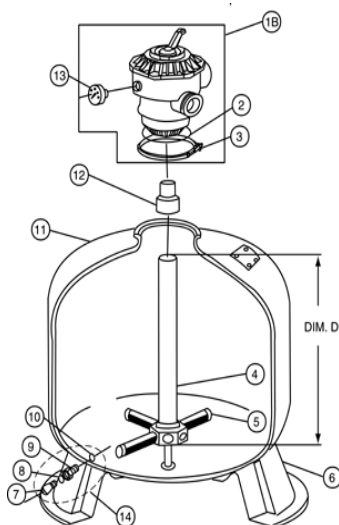


Steps for Winterizing Aboveground Pool Equipment

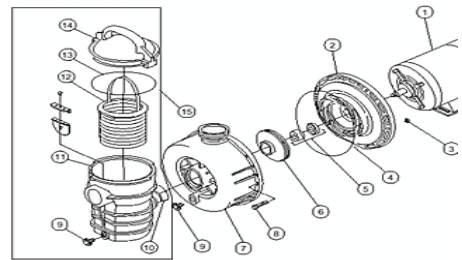
Be Sure to Have Your Water Tested Before Closing Your Pool.

1. Add proper balancing chemicals.
 2. Vacuum pool to waste **or** lower water level to bottom of skimmer, by moving multiport valve to waste. When pump loses prime, turn pump off & unhook hose at the skimmer and let the pool water seek its own level and remove the skimmer basket. Next unhook hose connecting filter & return fitting.
 3. Add **Jack frost winter chemical kit**- *never mix chemicals together, always add chemicals to water not water to chemicals.*
 - a. **Winterizer**- mix in bucket of water and pour dissolved solution over the surface.
 - b. **Stain/Scale Control**- Dilute in bucket of water and pour over surface.
 - c. **Non-Chlorine shock**- mix in bucket of water and pour dissolved solution over the surface.
 4. Add air pillow to center of pool and tie off with string.
 5. Remove 1 plug or cap from the bottom of the filter tank.
 6. Remove plug(s) from the pump (Dynamo pump has 2 plugs/Hayward Powerflo pump has only 1 plug)
 7. Remove pump basket, clean out excess water, replace basket – store plugs, sightglass and pressure gauge in the basket with the lid closed.
NOTE: Leave all plugs out for winter!
 10. Wrap all hoses neatly around the filter system and cover with plastic for the winter.
 11. Winter Cover must be kept clean and water pumped off during the winter-
manufacturers' warranty only covers defects not neglect!
- *** If you have an item on your system not mentioned on this sheet or are unsure if winterizing properly (heater, main drain, etc) please call for advise. Thank you!

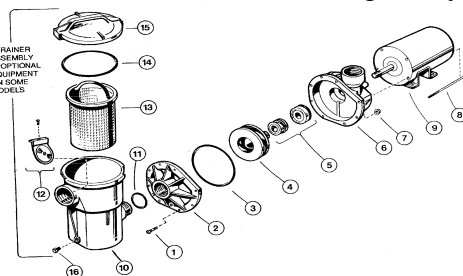
IF YOU HAVE A SALT SYSTEM, HEATER OR HEAT PUMP YOU MUST DRAIN WATER FROM THESE UNITS TO PREVENT FREEZE DAMAGE FROM OCCURING, PLEASE CONSULT YOUR OWNERS MANUAL OR MANUFACTURERS WEBSITE FOR INSTRUCTION.
Most RISING SUN sold and serviced products are Hayward Brand and information can be found at www.haywardnet.com



- 7. Drain Cap or Plug
- 13. Pressure Gauge/Sightglass
- 18. Multiport Valve



9. Drain Plugs – Dynamo Pump



16. Drain Plug – Powerflo Pump